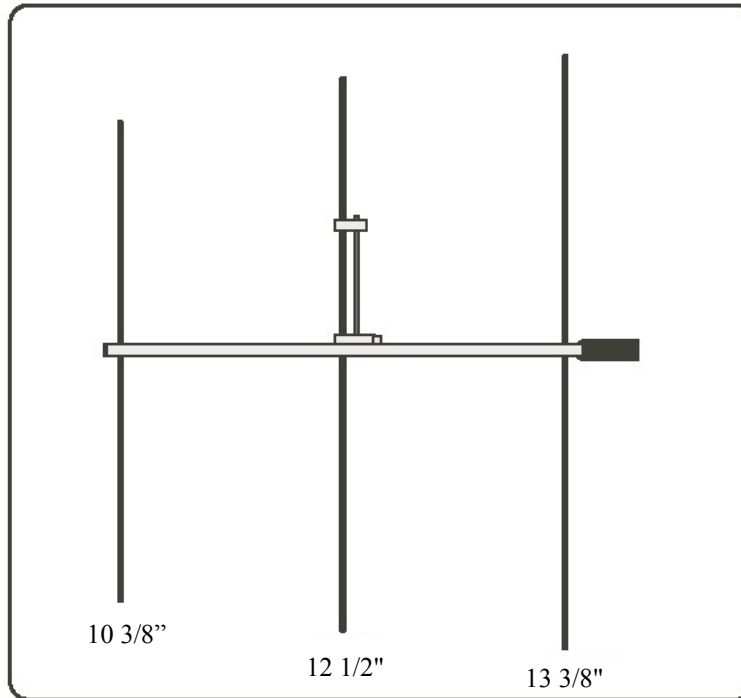


← Arrow Antenna →

911 E. Fox Farm Rd. #2
Cheyenne, WY 82007

ArrowAntennas.com
Simply the Best

(307) 222-4712
info@arrowantennas.com



3 Element Portable Antenna for 220 MHz

The Arrow II line of antennas has been engineered to provide maximum gain and efficiency in the smallest practical size & weight. **ONLY 18 oz.**

Aluminum **Arrow Shafts** are used for elements.

The in-line gamma match is pre-assembled & pre-tuned. BNC connector only.

The boom is $\frac{3}{4}$ \" square (with round corners) 27\" long. Note the big black foam grip for easy holding.

Boom & elements all have plastic tips for safety.

Guarantee

No hassle refund

If you are not completely satisfied with any ARROW ANTENNA Product it can be returned for a FULL refund less shipping and handling within 90 DAYS of purchase date.

SIMPLY THE BEST

Model

220-3

3 Elements for the 220 MHz band.

We don't invent antennas.
We simply build them better.

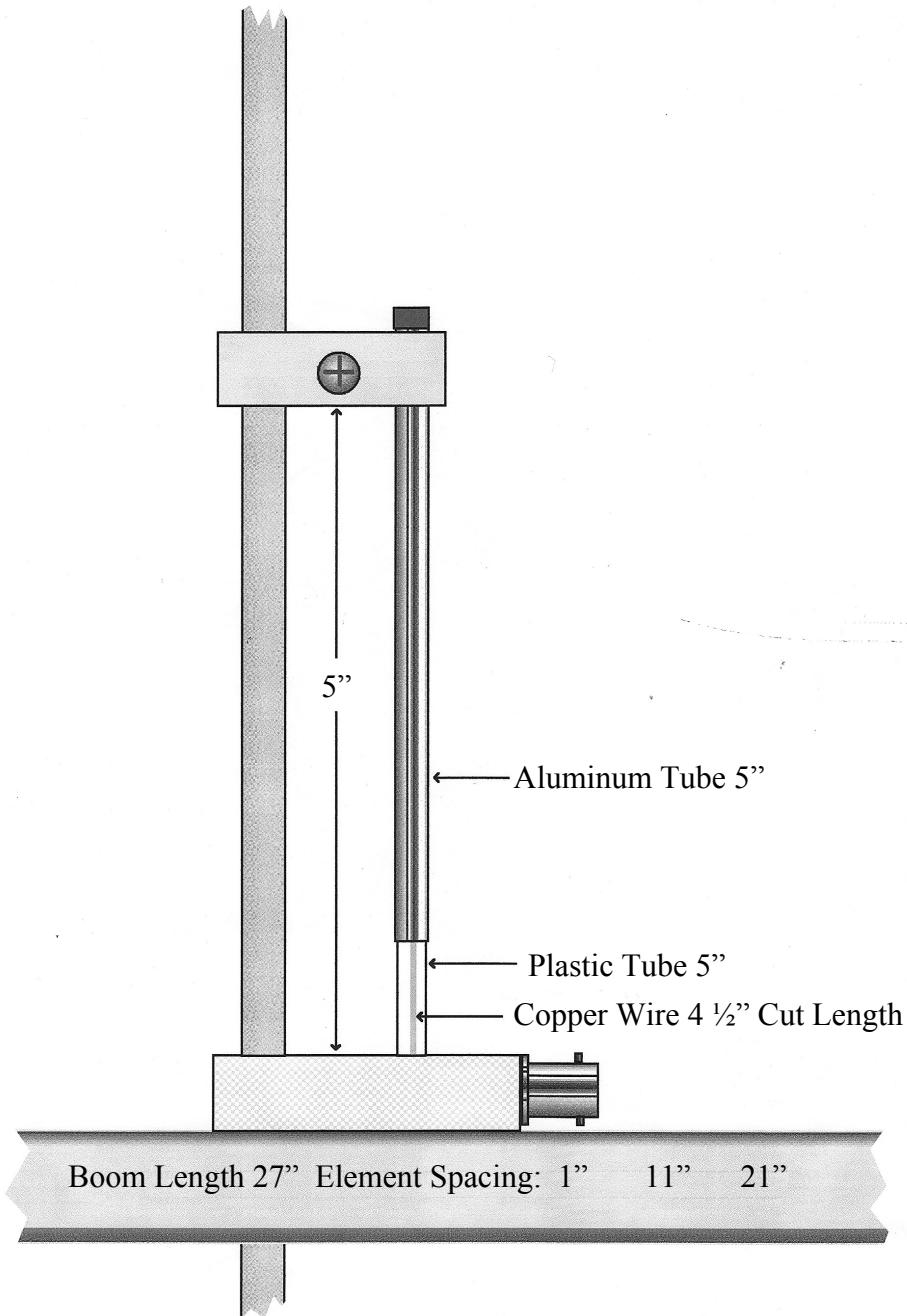
Part #	Price
22003	\$14.00
220 12.5	\$20.00
220 13.375	\$ 6.00
220 10.375	\$ 6.00
2.250	\$ 1.00
SC 9/32	\$ 1.00
FP 125	\$ 1.00

Model 220-3 Parts List

3 Element Hand Held Boom (3/4" X 27" Long)
 220 Driven Element Pair - with End Caps Inserts, & 2 1/2" Stud (12 1/2")
 Reflector Element Pair - with End Caps, Inserts, & 2 1/4 " Stud (13 3/8")
 1st. Director Element Pair - with End Caps, Inserts, & 2 1/4" Stud (10 3/8")
 2 1/4 " All Thread Stud for all Elements
 Red End Caps For Elements (10 for \$1.)
 Black End Caps for the Boom (4 for \$1.)
 (Please add \$8.00 S & H per order. Thank you.)

Assembly Instructions

Attach the elements to the boom as shown above by screwing the elements together through holes in the boom.
 Attach feed lines to the BNC connectors. That's it. The antenna is pre-tuned and ready to go.



ASSEMBLY CHECKLIST FOR OUR SHIPPING DEPARTMENT.

Circle Antenna Being Assembled:

220-3

Solid Boom

3 element holes

Hole are clear

4 tripod holes

End Caps

Foam Handle Grip

2 @ 13 3/8" elements

1 @ 12 1/2" driven element

1 @ 12 1/2" non-driven element

2 @ 13 3/8" elements

3 studs